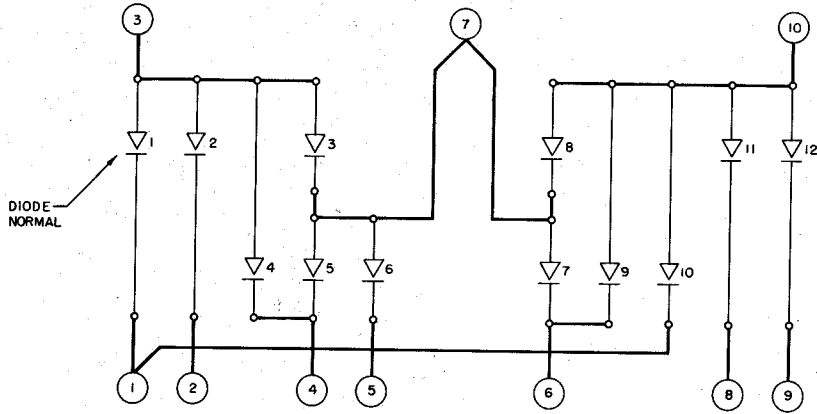


DIODE UNIT

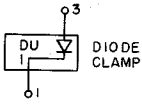
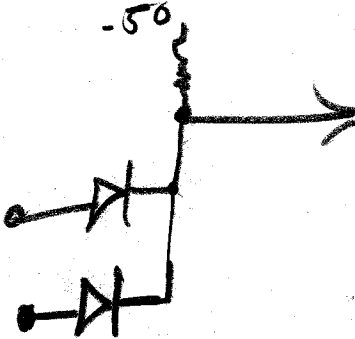
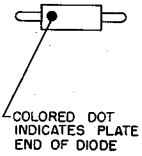
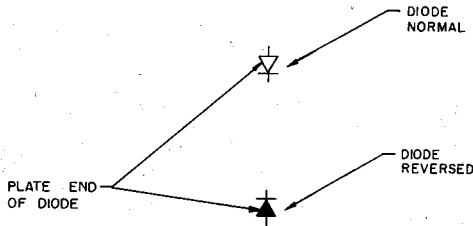
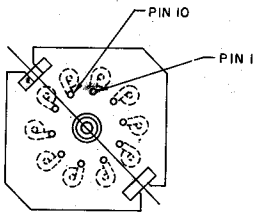
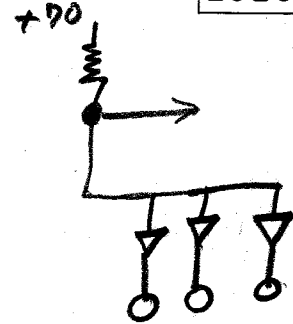
0-05

LOGIC NO.  
0-05

GERMANIUM DIODE UNIT

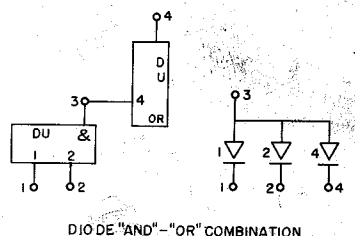
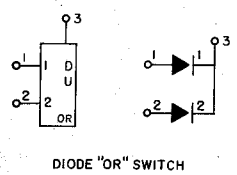
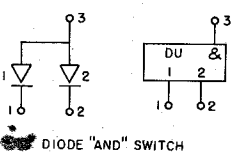


252699



ENG. CHANGE NO.  
100399Q

PART NO.  
254553



DIODE "AND" SWITCH

DIODE "OR" SWITCH

DIODE "AND"- "OR" COMBINATION

LOGIC NO  
0-07

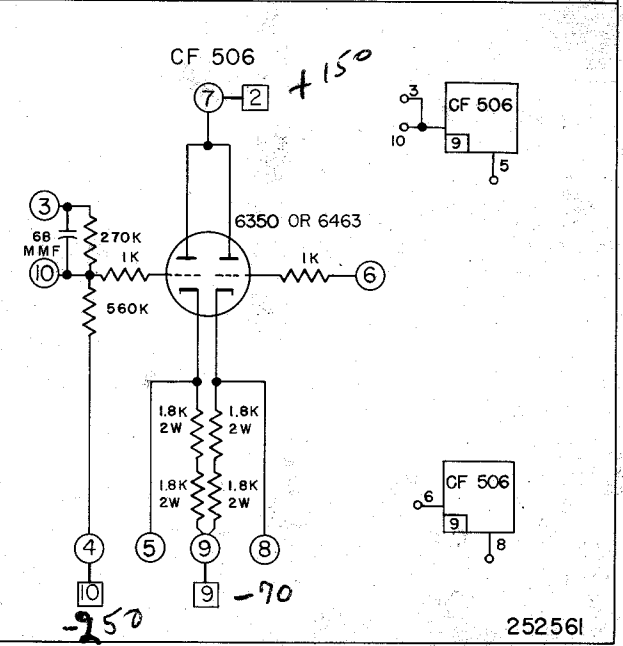
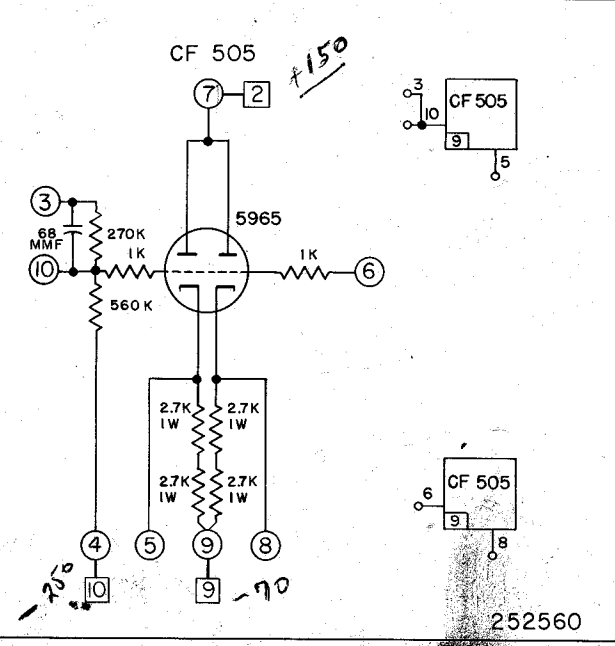
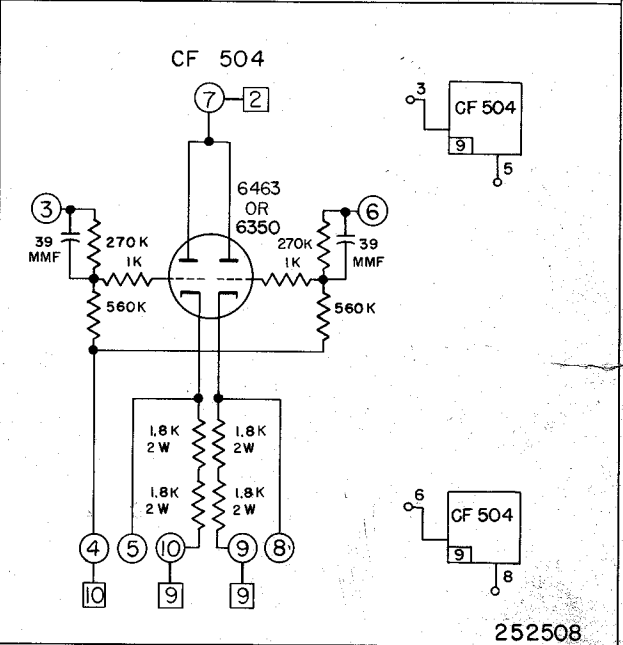
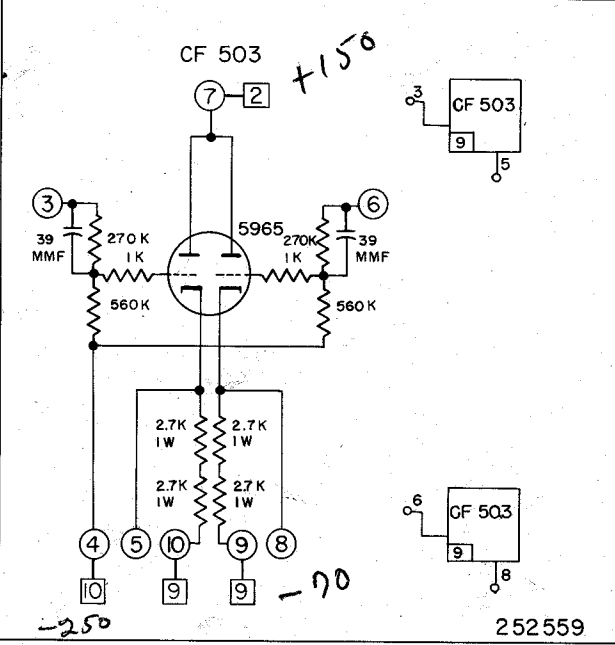
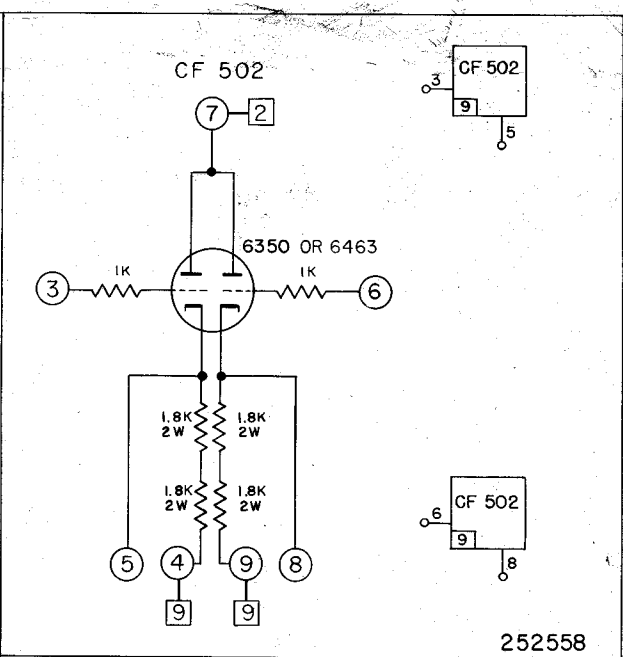
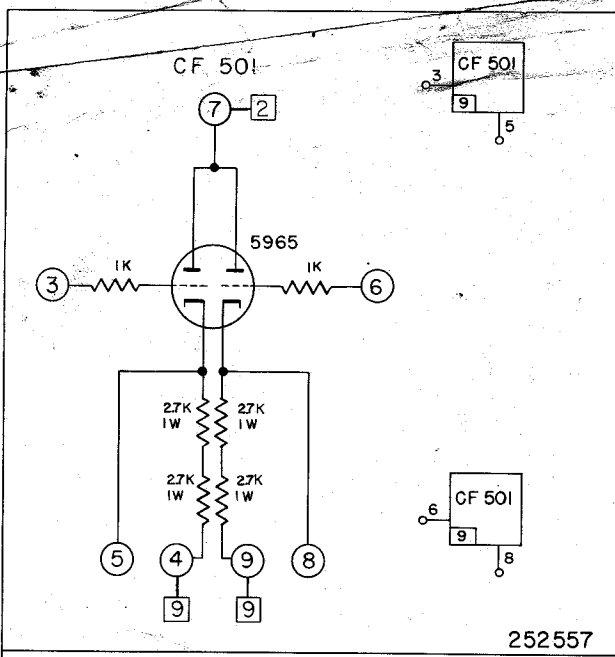
CATHODE FOLLOWERS  
CF 501-506

NO

CHANGE

ENG  
1003990

PART NO  
254554

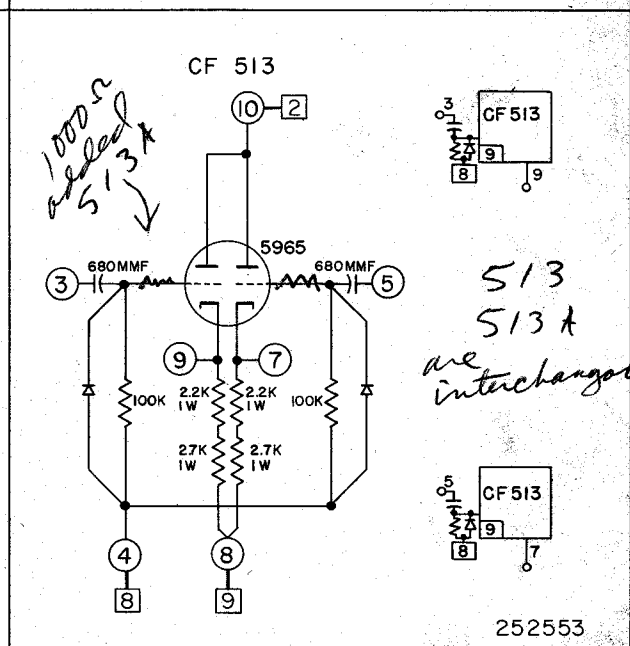
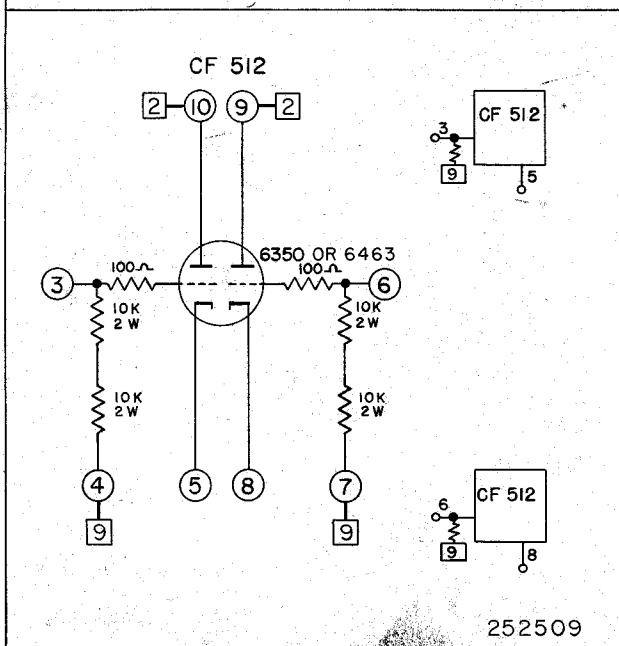
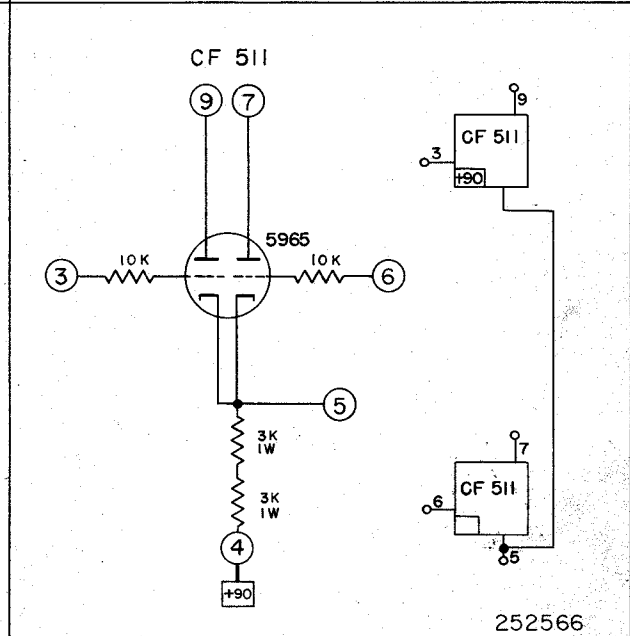
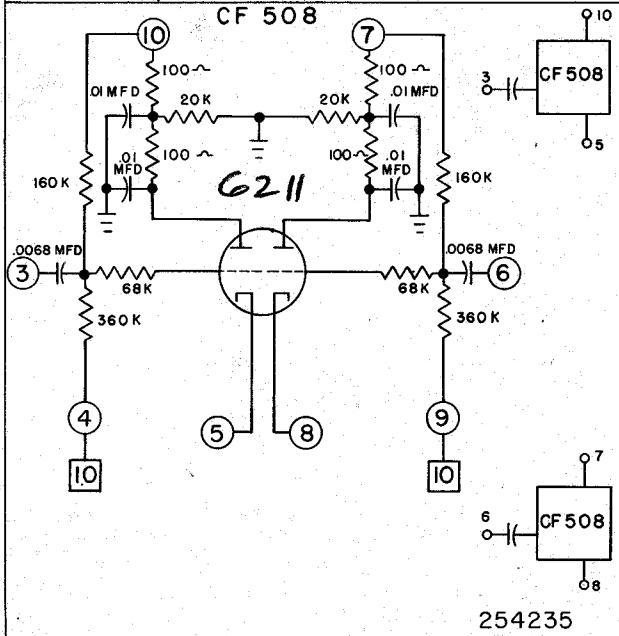
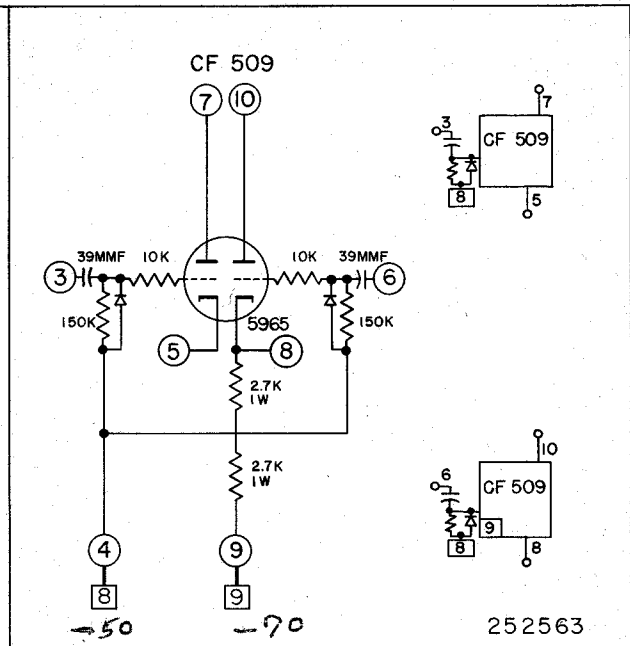
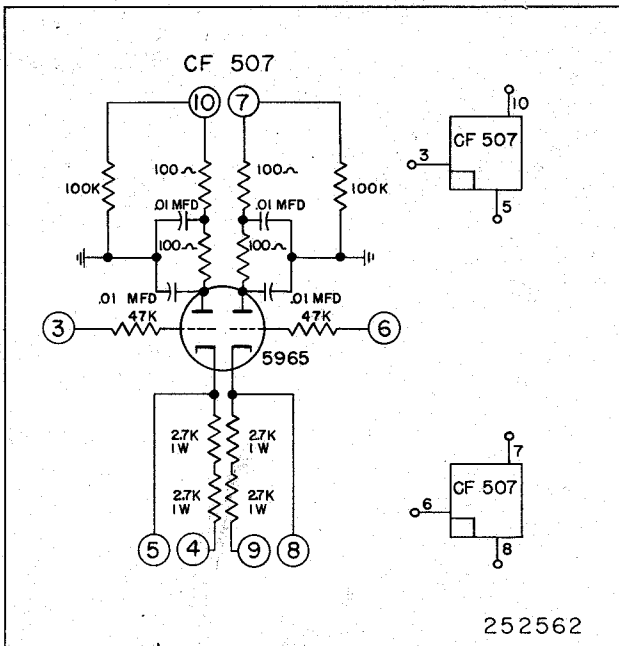


LOGIC NO  
0-08

CATHODE FOLLOWERS  
CF507-513

NO  
ENG CHANGE  
1003999

PART NO  
254546



NOTE: ALL RESISTORS IN PLUGGABLE UNITS

LOGIC NO  
0-09

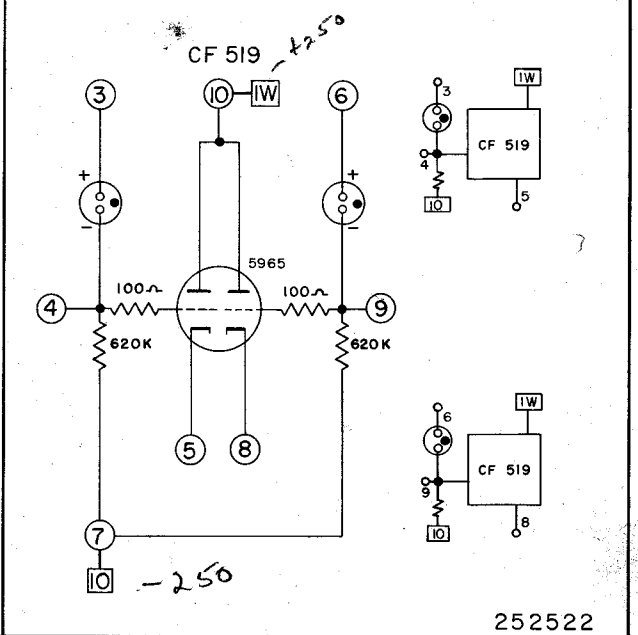
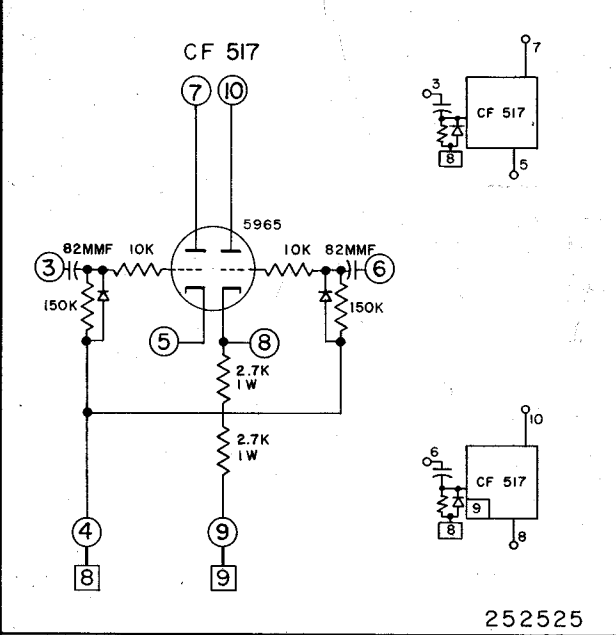
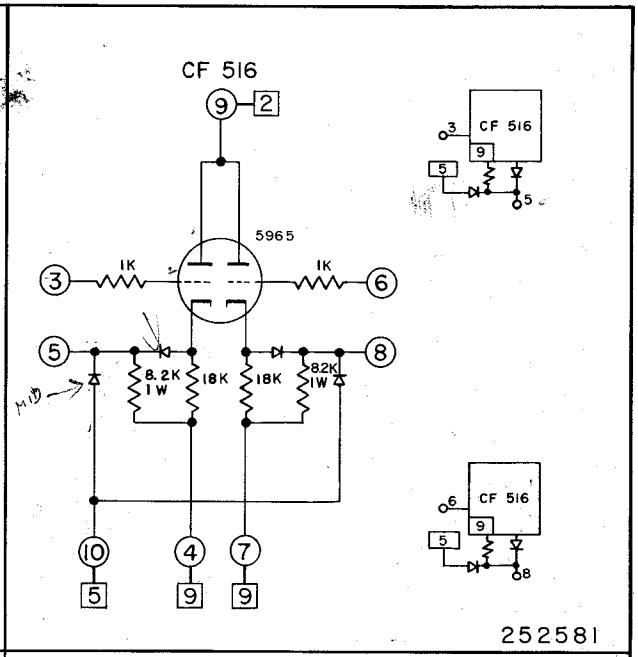
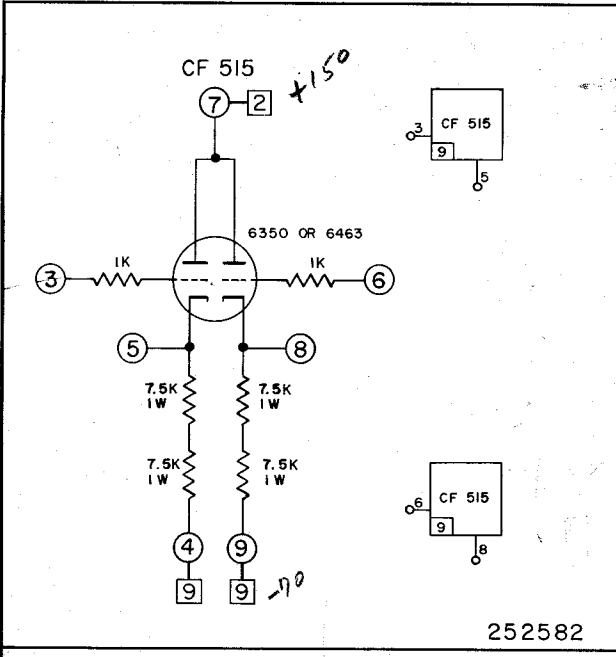
CATHODE FOLLOWERS  
CF 515-519

NO

CHANGE

ENG  
1003990

PART NO  
254555



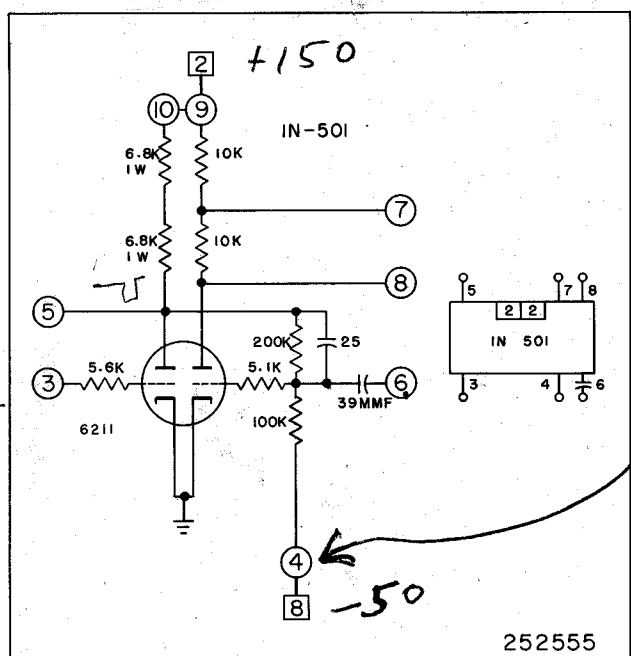
LOGIC NO.  
0-10

INVERTERS  
IN 501-506

NO.

ENG. CHANGE  
100399q

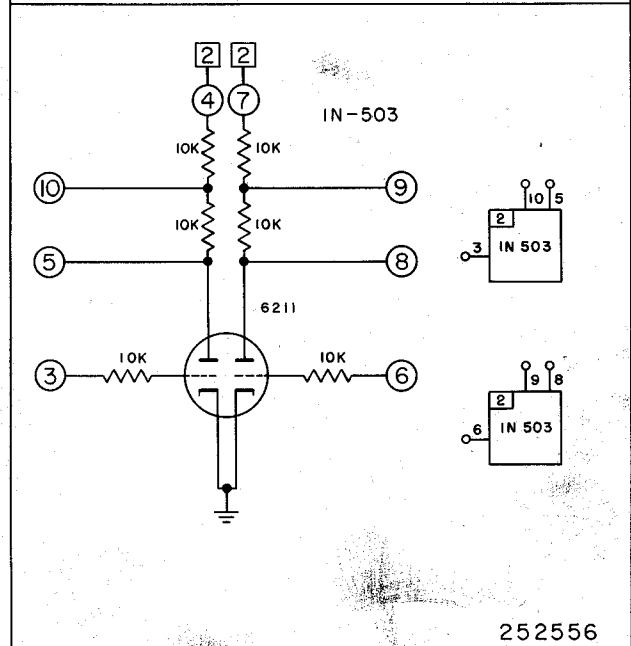
PART NO.  
254556



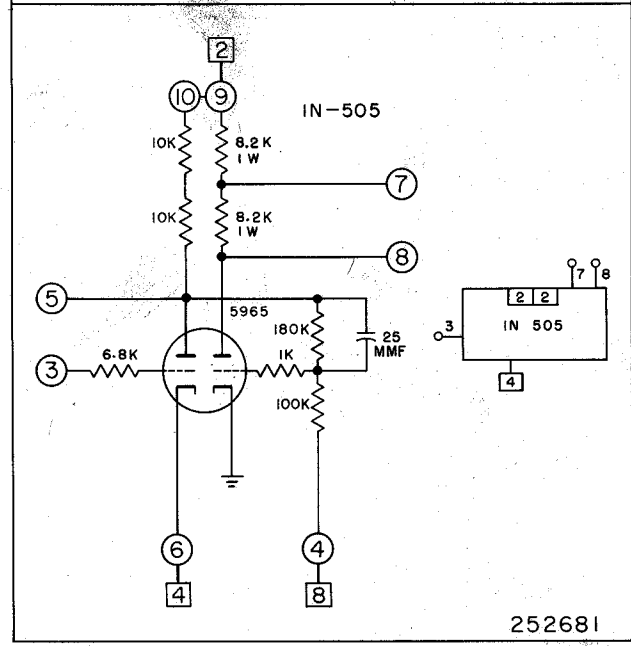
252555

-40v in  
digit - Word &  
sector Ring

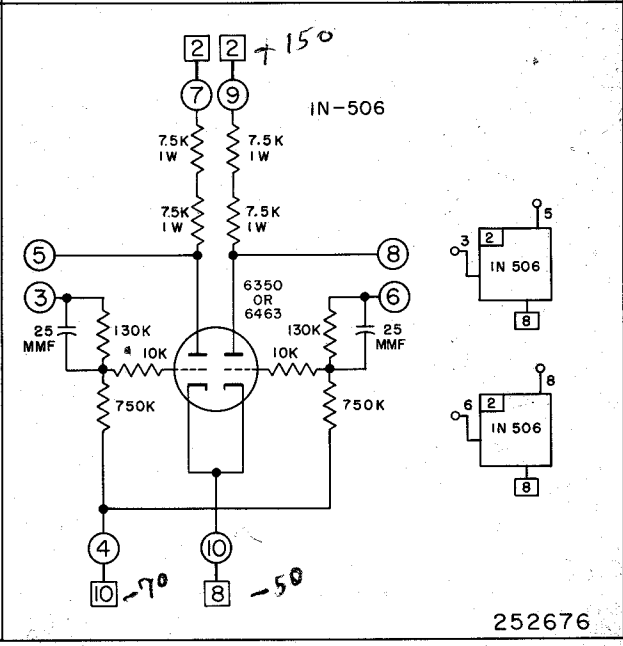
3/M 485024



252556



252681



252676

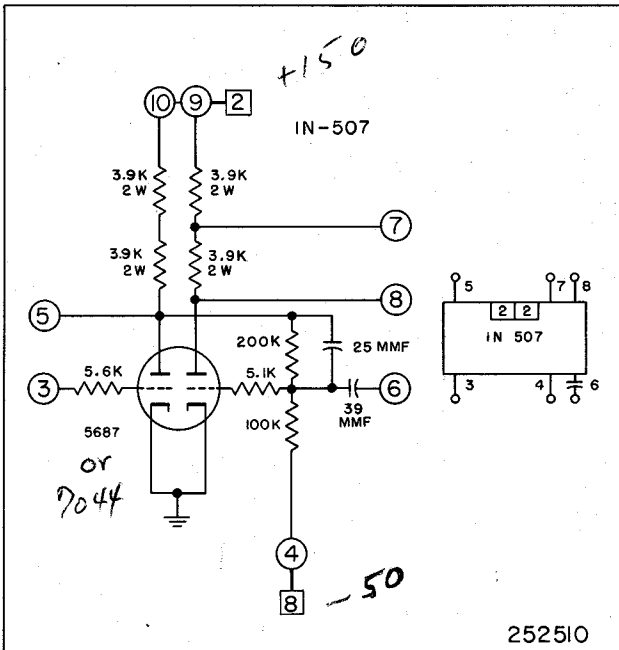
NOTE: ALL RESISTORS IN PLUGGABLE UNITS

LOGIC NO.  
0-11

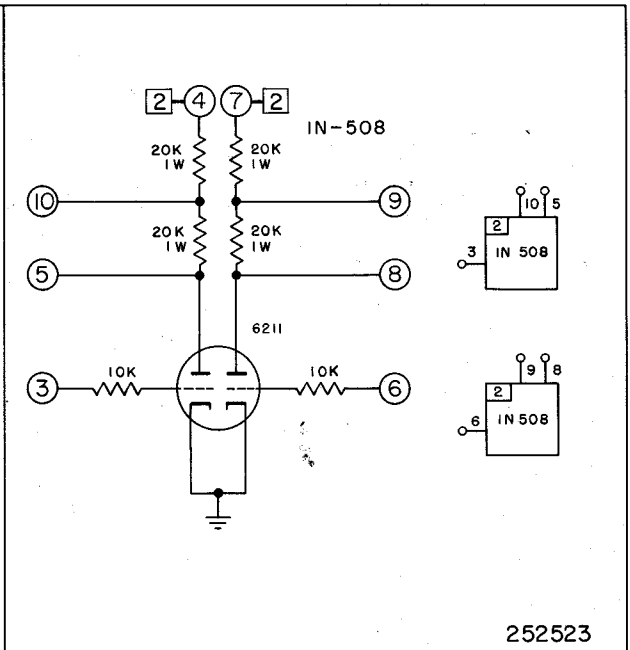
INVERTERS  
IN 507-508

ENG. CHANGE NO.  
100399A

PART. NO.  
254560



252510



252523

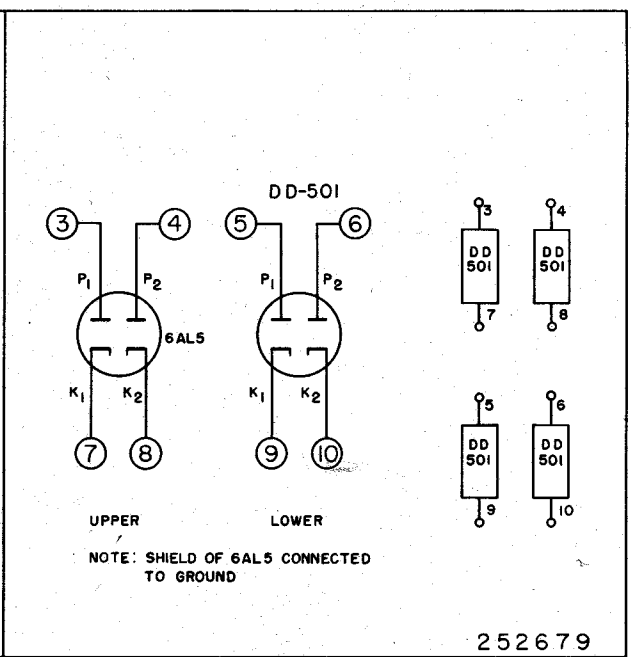
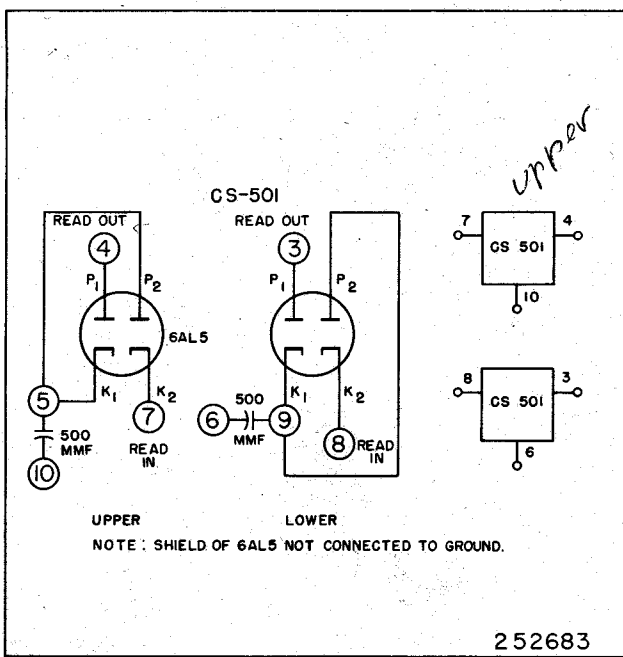
LOGIC NO.  
0-12

TUBE DIODE UNITS  
CS 501, DD 501

ENG. CHANGE NO.

PART NO.  
254561

1003990



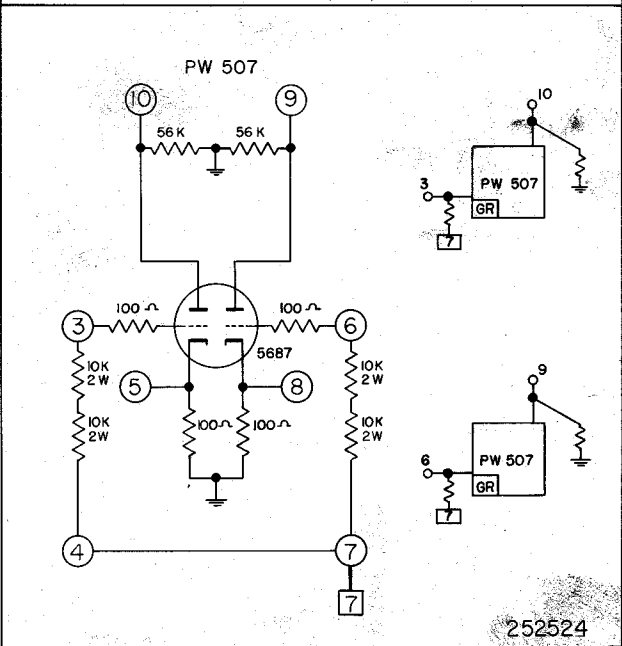
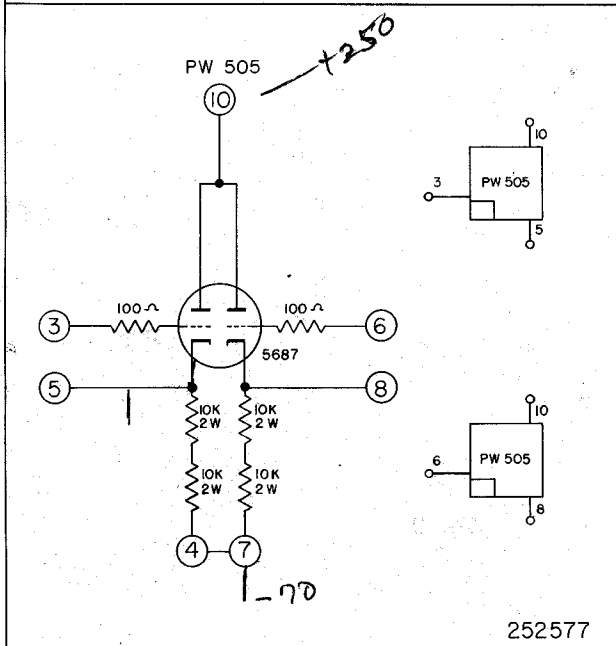
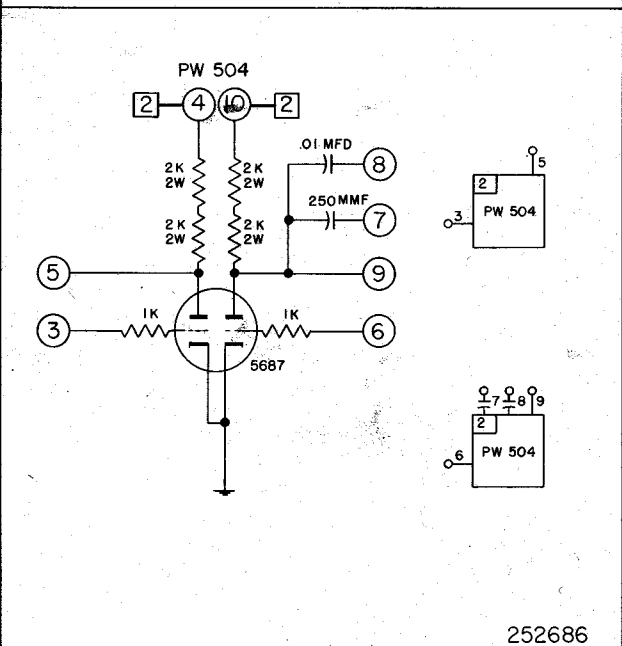
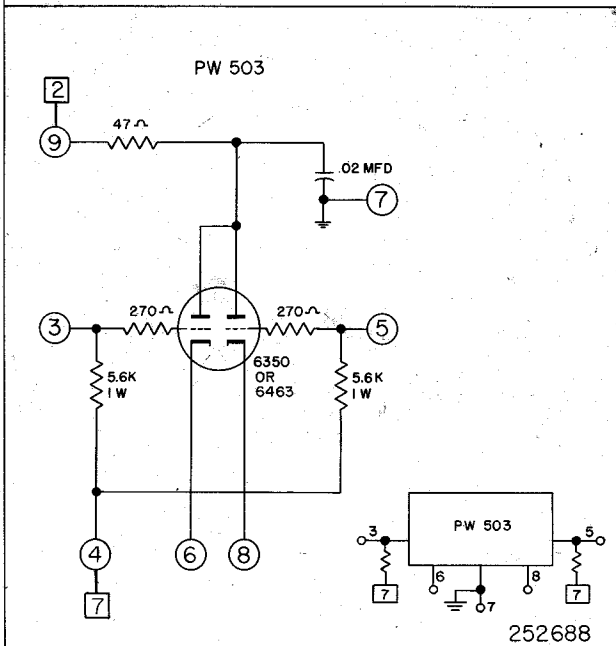
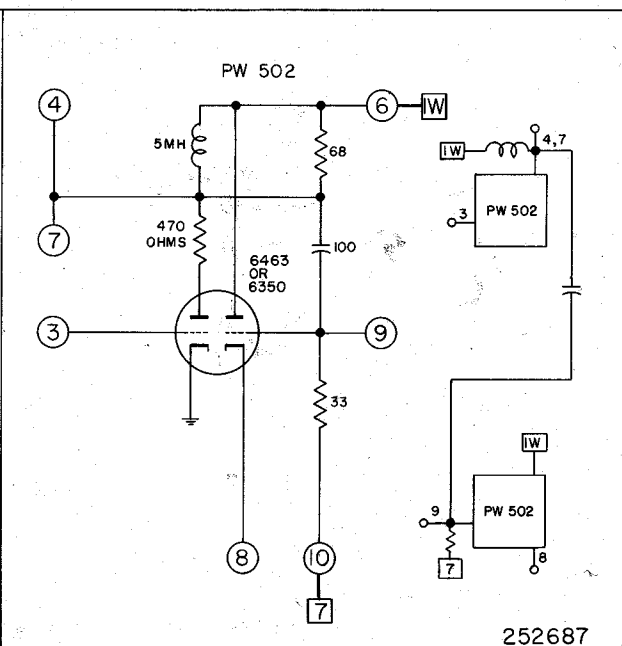
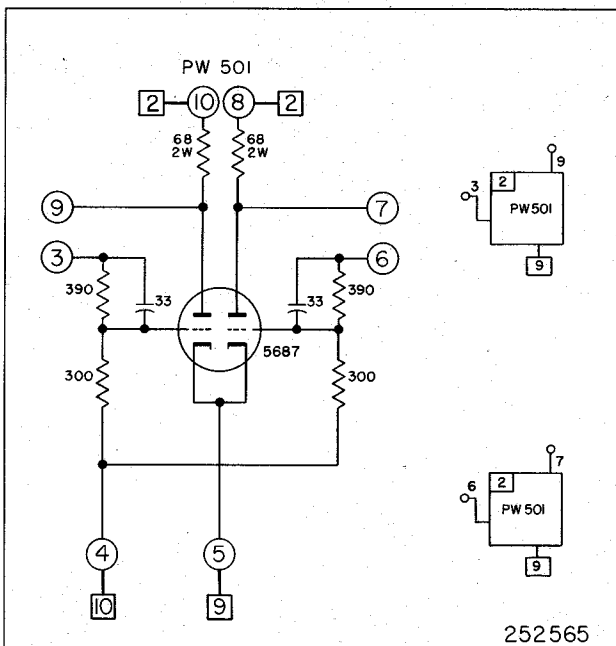
LOGIC NO  
0-13

POWER UNITS  
PW501-507

NO

ENG CHANGE  
100399Q

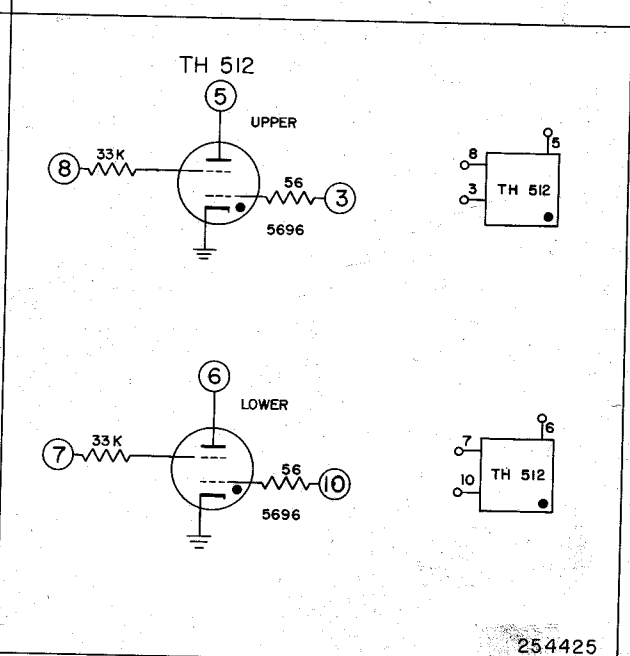
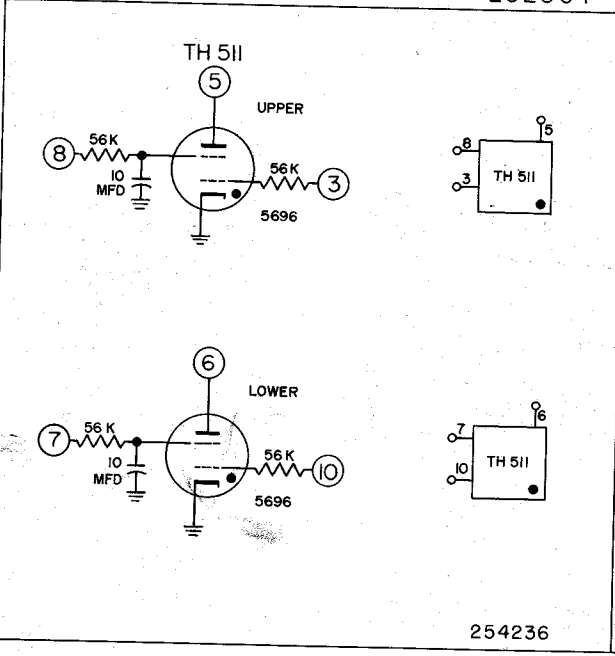
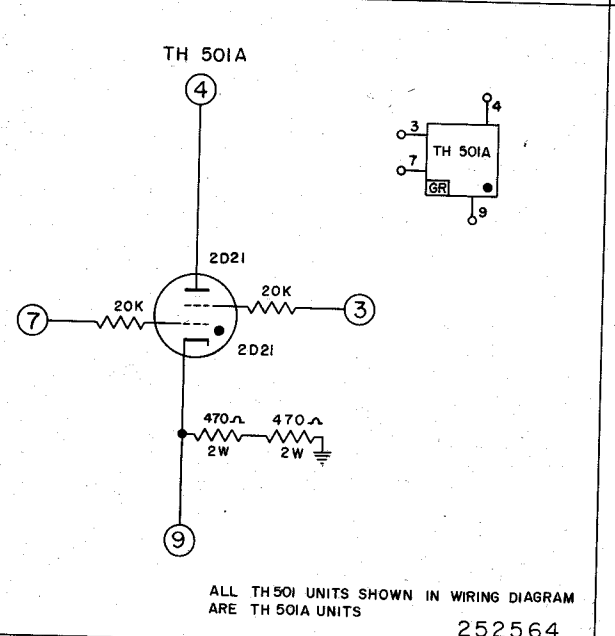
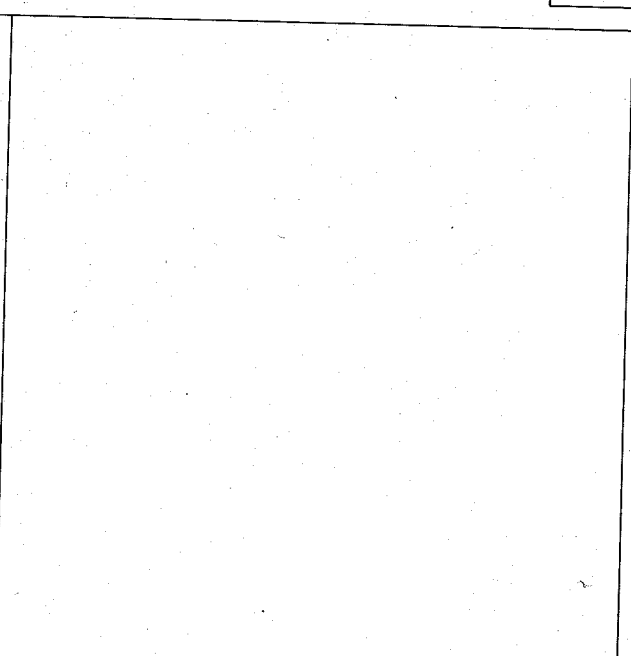
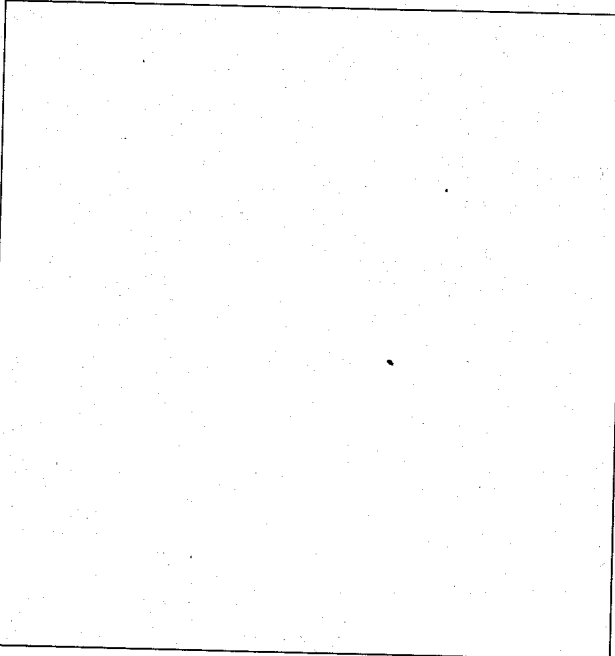
PART NO  
254562



NOTE: ALL RESISTORS IN PLUGGABLE UNITS



100399Q



LOGIC NO  
0-15

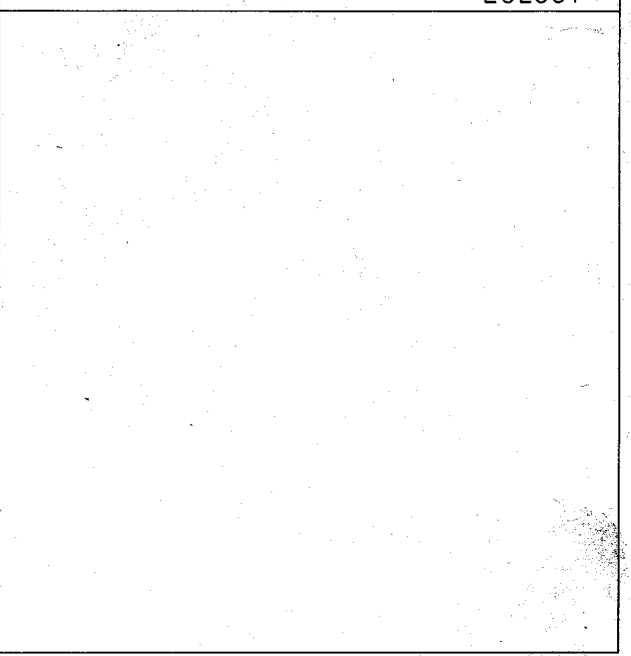
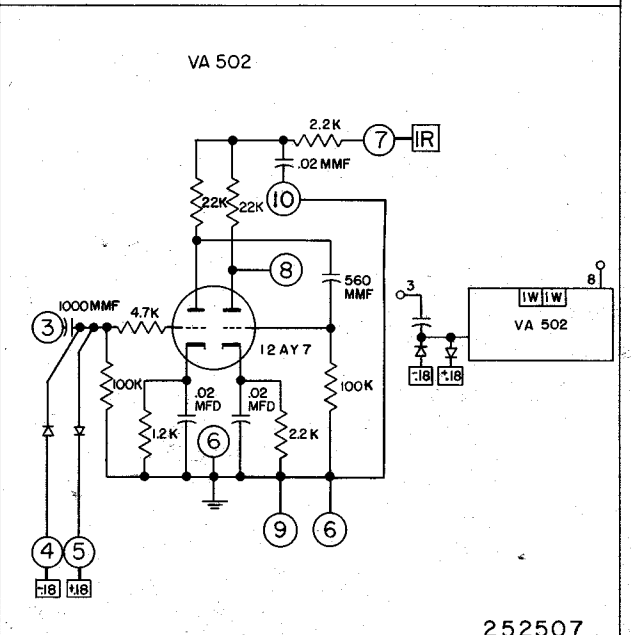
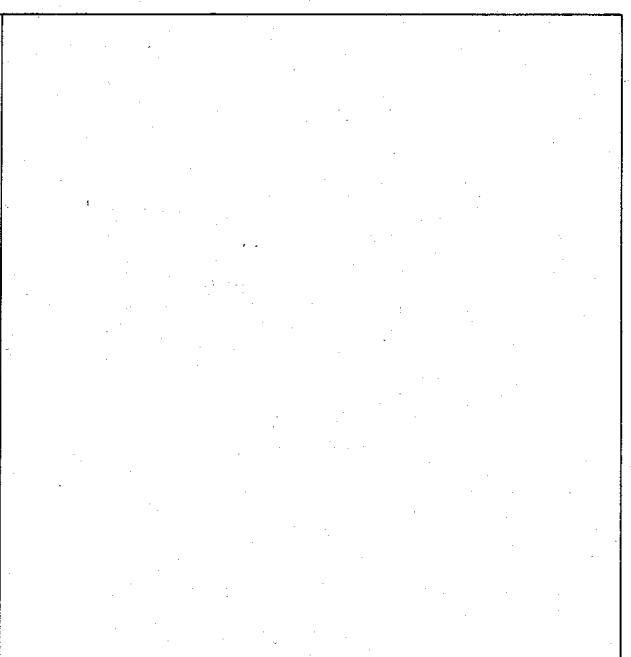
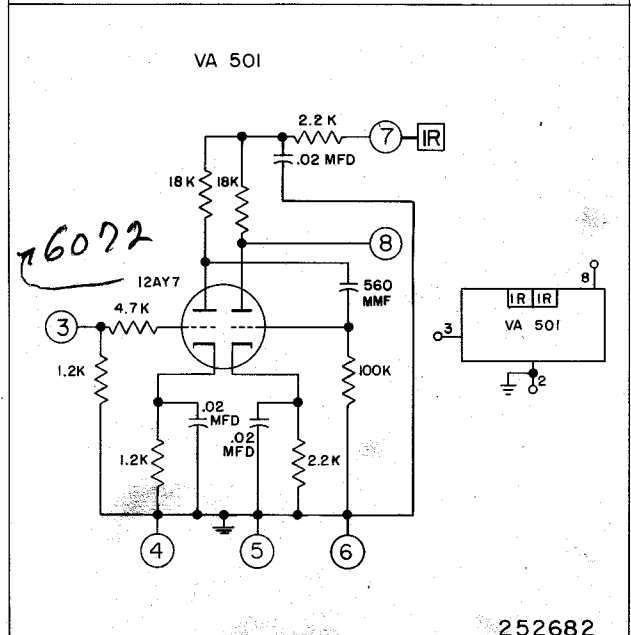
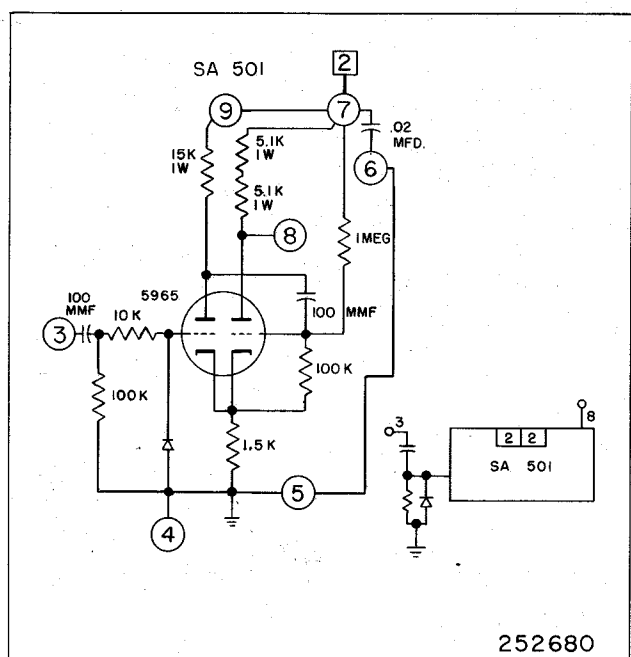
AMPLIFIERS  
SA 501, VA 501-502

NO

CHANGE

ENG  
100399Q

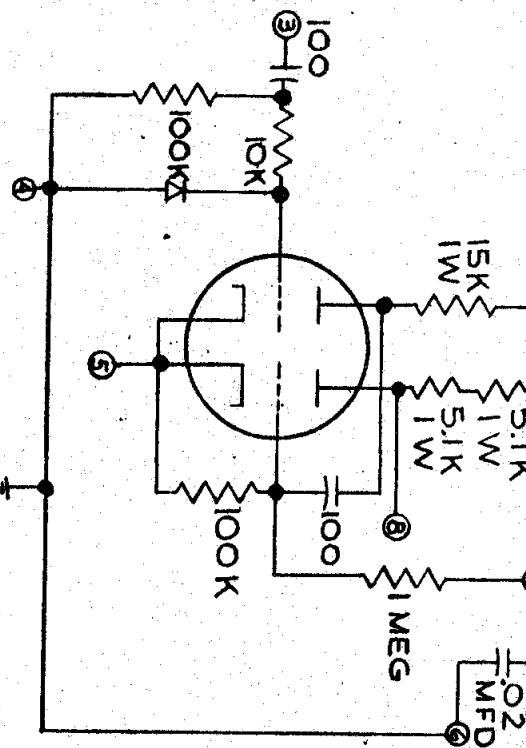
PART NO  
254563



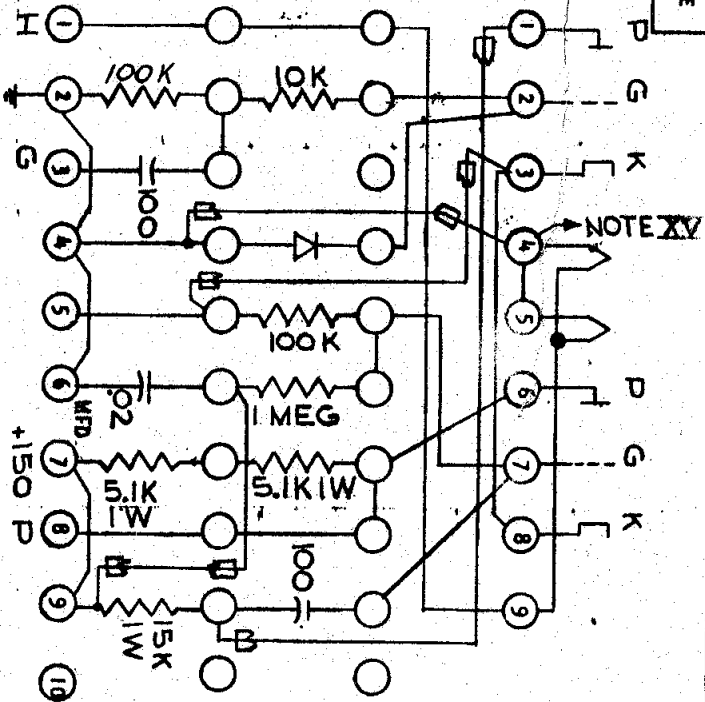
SA 507

TOLERANCES  
 CAPACITORS  
 100 MMF ± 10%  
 .02 MFD ± 5%  
 RESISTORS ± 5%  
 DIODES : 25Z69G  
 NOTE X

NOTE  
 RESISTORS ARE 1/2 WATT  
 UNLESS OTHERWISE NOTED  
 CAPACITORS IN MMF



5965 TUBE NO



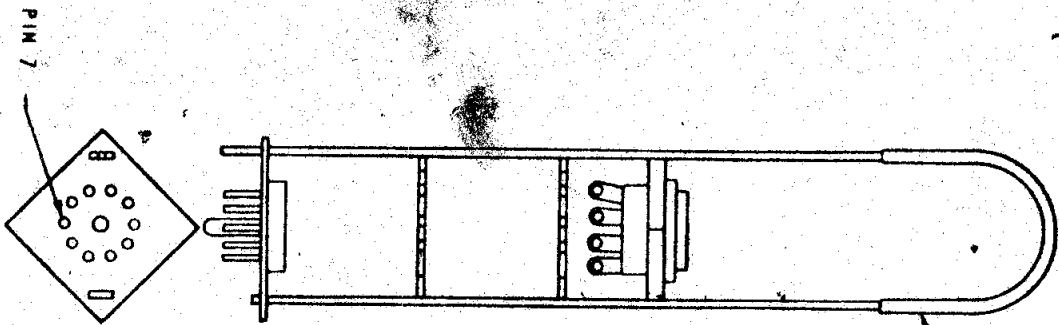
NOTE XIII

STANDARDS CODE	RELEASED FOR ASM	QTY	SYM	DATE	CHANGE NO	DEVELOPMENT NO	Q/R
27021	125837	2		1-21-58	104172		
						125836	

SAS07

NOTE XII  
 STAMP IN BLACK

CLEAR PLASTIC SLEEVING



NOTES

- X FURNISHED BY IBM
- XI ~~INDICATES PORTIONS OF WIRE COVERED WITH INSULATION~~
- XII IDENTIFICATION 1/8 HIGH MUST BE AS SHOWN ON TOP OF BALL ORIENTED TO BE READABLE WITH PIN 2 POINTED DOWN
- XIII PIN ALIGNMENT OF TOP AND BOTTOM SOCKETS AS IN WIRING DIAGRAM
- XIV ASSEMBLY TO ENGINEERING SPECIFICATIONS 890333
- XV FRAME GROUNDED TO THIS PIN
- XVI SIMILAR TO 252680, 450832

MATERIAL SPECIFICATION NO

CASE DEPTH

HARDNESS

SURFACE TREATMENT

NAME PLUGGABLE UNIT

INTERNATIONAL BUSINESS MACHINES CORP

DESIGN MODEL G 50

DETAIL SCALE NONE

CHECK DRAW VE 8-9-57

TECH SERVICES DATE 9-25-57

APPRO KUH

CHECK DRAW VE 8-21-57

125836

938521

LIBERTY MANUFACTURING CORPORATION  
 ERIE RESISTOR COMPANY